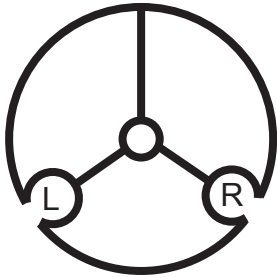


SOLID TECH

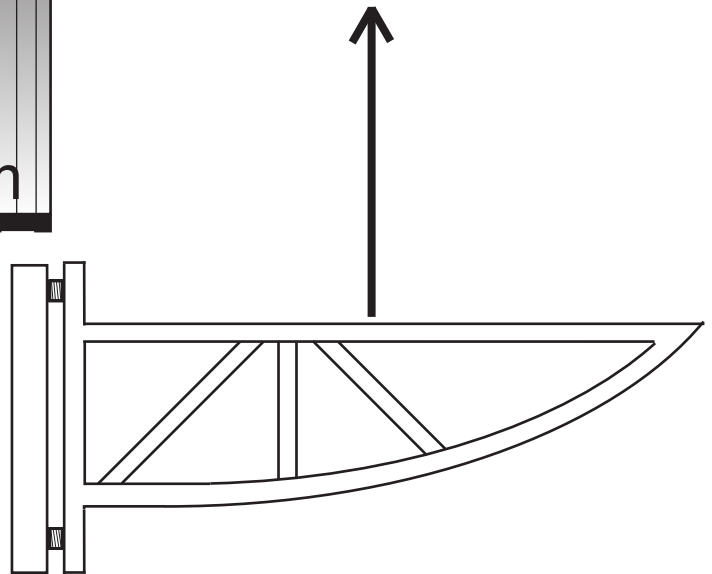
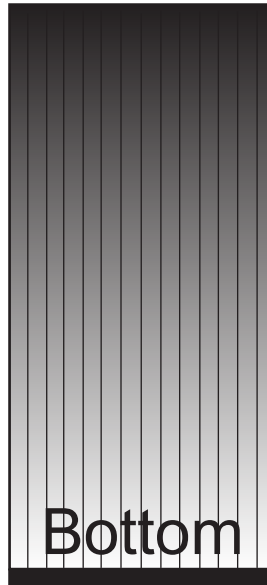
Mounting instructions for the Hybrid Rack with Isolation Shelf-kit HD

1.

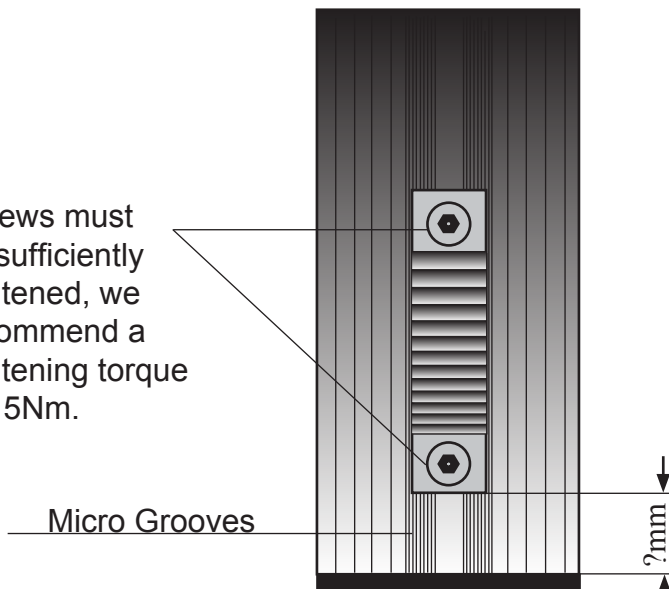


If a single section rack is to be mounted, half of all corner-pillars shall have the shelf-bracket(s) mounted to the left (L) slot and the other half to the right (R) slot.

If a multiple section rack is to be mounted a certain amount of corner-pillars shall have shelf-brackets mounted to both the left and right slot



Screws must be sufficiently tightened, we recommend a tightening torque of 15Nm.



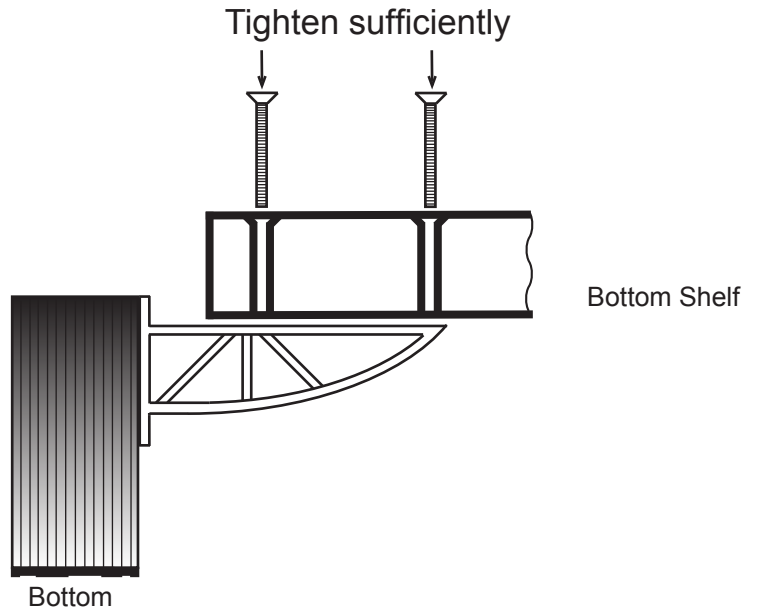
ATTENTION!

Carefully measure and place the shelf bracket(s) at its intended height (?mm) from the bottom and at first apply a very light tension to the two screws, then carefully align the shelf bracket in a perfect straight line with the corner-pillars, using the micro grooves as guide lines.

When the shelf bracket is properly adjusted then **tighten the two screws fully (15Nm).**

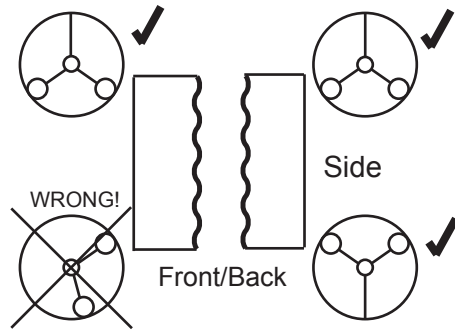
2.

Separate the bottom shelf from the top shelf and attach the bottom shelf to the corner pillars with the shelf-bracket already mounted.

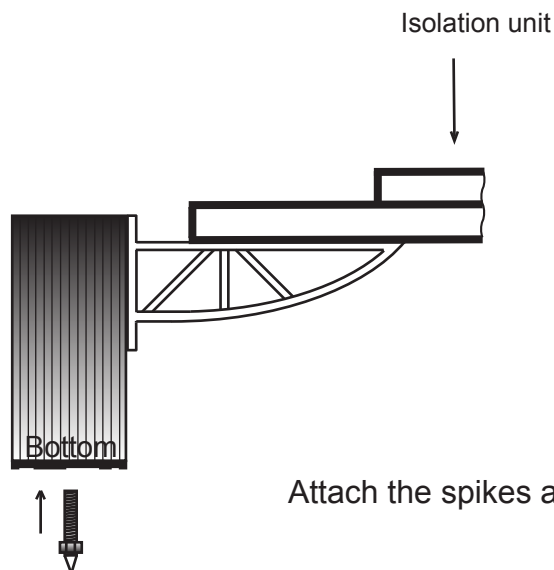


Attention!

Mount the corner-pillar and shelf-bracket-assembly to the shelf at its correct corner.



3.



Attach the spikes all the way down.

4.

The Hybrid Isolation-kit HD comes with three springs pre loaded on each isolator unit. In this configuration the base can uphold a maximum weight of 45kg. Twelve extra springs are supplied for a maximum weight of 90 kg. If further load is required twentyfour extra springs can be procured through your Solid Tech dealer.

With the equipment loaded on the top shelf the springs should be at its most outstretched position for the best performance.

K
G

	Weight per shelf	
	Min (kg)	Max (kg)
2 springs	8	30
3 springs	20	45
4 springs	26	60
6 springs	40	90
12 springs	80	180

Follow the table to the right and adjust the four isolation Units pending the load weight.

Mount the top shelf and check the bubble level. If needed adjust the amount of springs so that the top shelf is levelled correctly.

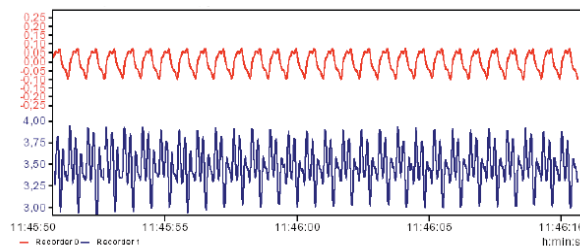
P
O
U
N
D
S

	Weight per shelf	
	Min (lb)	Max (lb)
2 springs	17	66
3 springs	44	99
4 springs	57	132
6 springs	88	198
12 springs	176	397

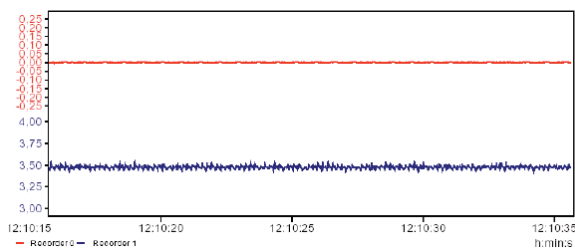
Measurement result Hybrid shelf-kit HD

Red Curve = Z direction (the up and down movement)
Blue Curve = X-Y direction (lateral movement – left, right)

50Hz, Sensors (accelerators) placed on the floor



50Hz, Isolations unit placed on the floor, sensor placed on the object on top of the isolation shelf.



At 50Hz the isolation unit reduces the vibrations with 88,44% in X/Y direction and 89,22 in Z direction.